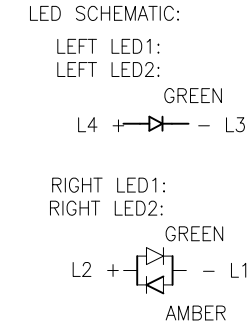
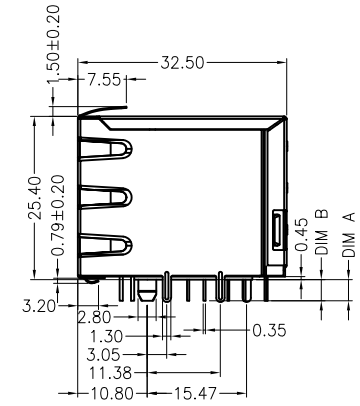
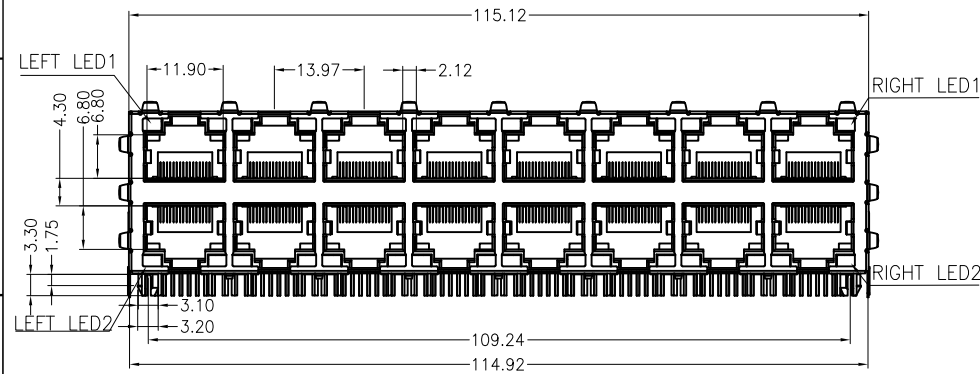
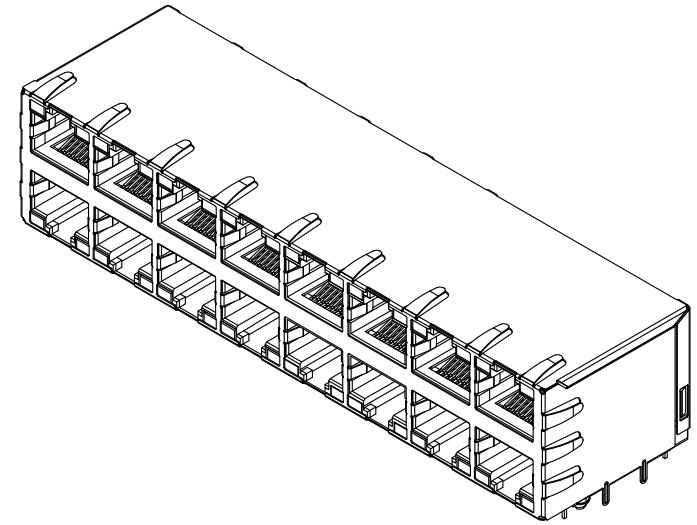
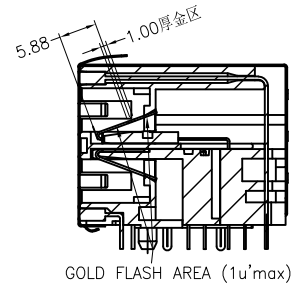
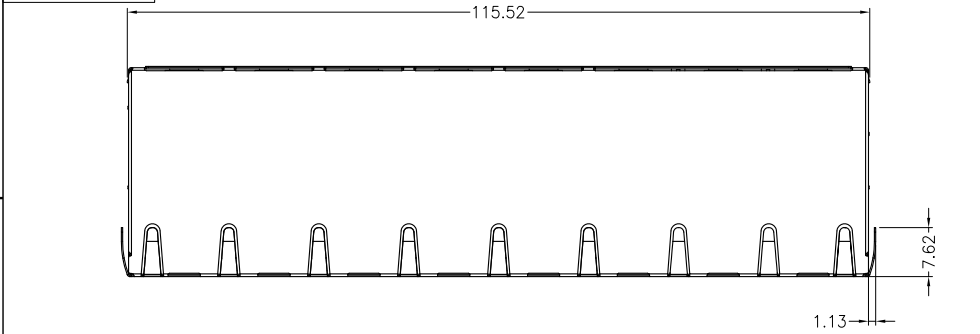
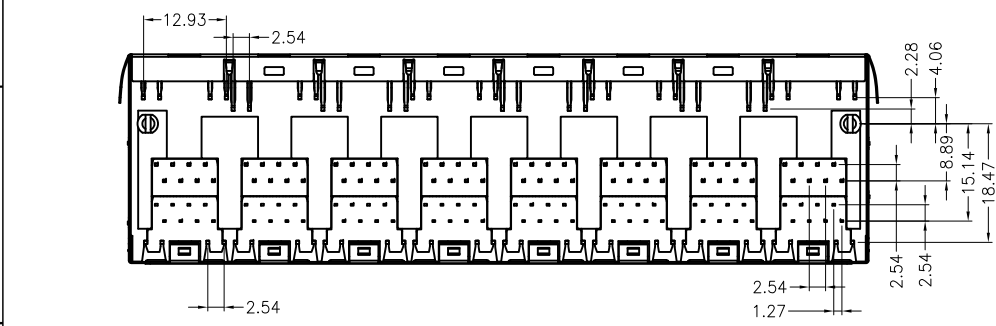


PROPOSAL



- NOTES:
- MATERIAL:
HOUSING:HIGH TEMP.THERMOPLASTIC,BLACK,UL 94V-0
CONTACT:PHOSPHOR BORNZE,T=0.35mm.
SHELL:SUS304 1/2H T=0.20mm
 - FINISH:
CONTACT:50u"MIN. NICKEL UNDERPLATING ALL AREA,
100u"MIN. MATTE-TIN ON SOLDERTAILS,
GOLD PLATING ON CONTACT 6u".
 - OPERATING TEMPERATURE:-40°C~+85°C.
 - JACK CAVITY CONFORMS TO FCC RULES AND REGULATIONS PART 68, SUBPART F



REV.	ECN. NO.	DRAWN	DATE	EC.content
A.0	NEW	Victor	12/16/2025	



⊗:QUALITY CONTROL ITEM		GENERAL TOLERANCE		PART NO.: JM8A-CH1R-DA0Y		
APPROVED		.X± 0.38	X.'± 2'	TITLE:RJ45 CONNECTOR 2*8 PORT		
CHECKED		.XX± 0.25	.X'± 1'	W/LED, 8P8C, Shielded		
DRAWN		.XXX± 0.13		UNIT: mm	SCALE: 1:1	SHEET: 1/2
						REV.: A.0

SIZE: A4

1 2 3 4 5 6 7 8

F

F

E

E

D

D

C

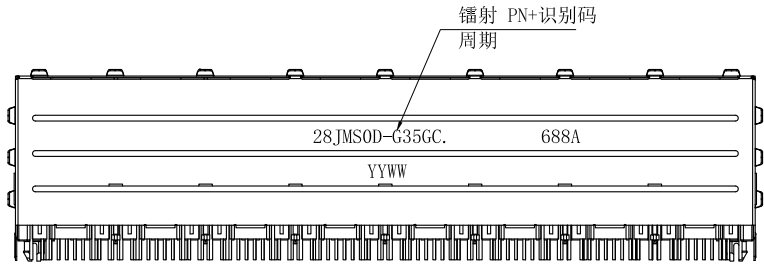
C

B

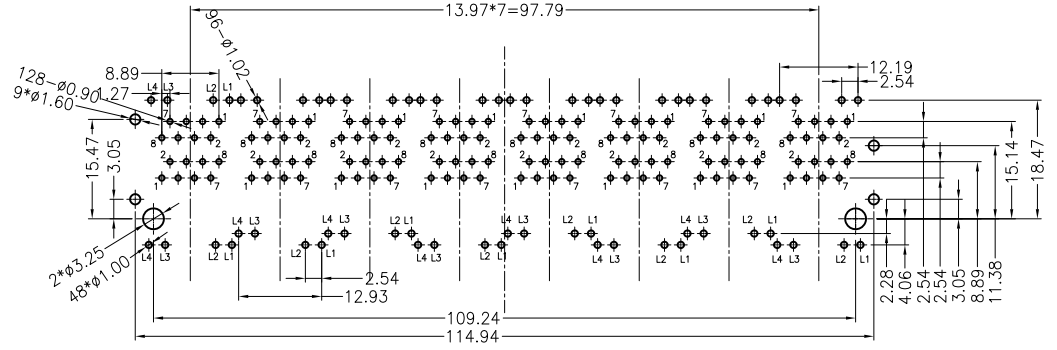
B

A

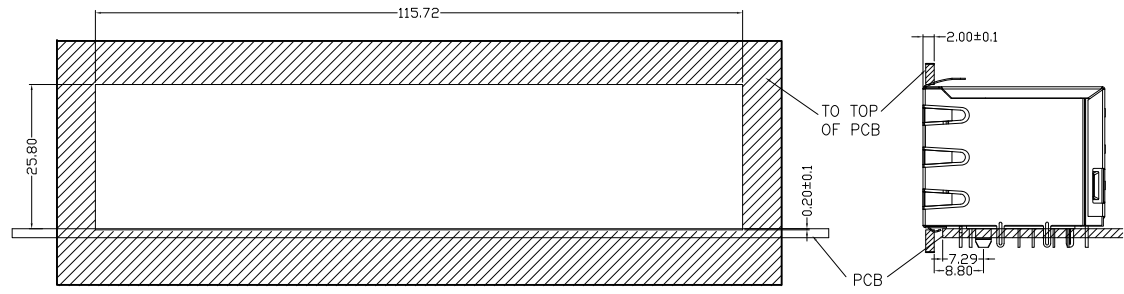
A



BACK VIEW



PCB LAYOUT TOLERANCE:±0.05



RECOMMENDED OPENING SIZE

P/N RULE:
 JM8A-C H 1 R-D A O Y
 SHELL CODE — H — Y: 一體式外殼
 H:W/ ALL SPRING — 0 : SUS304 1/2H
 W/O LOGO
 W/O BACK LEG
 1:HSG PBT — DIM CODE
 LED CODE — Contact PIN DIM A :3.30
 LEFT LED1: GREEN — LED PIN DIM B :3.30
 LEFT LED2: GREEN
 RIGHT LED1: GREEN/AMBER
 RIGHT LED2: GREEN/AMBER
 PLATING CODE
 D-GOLD PLATED 6u" MATTE-TIN

REV.	ECN. NO.	DRAWN	DATE	EC.content
A.0	NEW	Victor	12/16/2025	



⊗:QUALITY CONTROL ITEM		GENERAL TOLERANCE		PART NO.: JM8A-CH1R-DA0Y		
APPROVED		.X± 0.38	X.'± 2'	TITLE:RJ45 CONNECTOR 2*8 PORT		
CHECKED		.XX± 0.25	.X"± 1"	W/LED, 8P8C, Shielded		
DRAWN		.XXX± 0.13		UNIT: mm	SCALE: 1:1	SHEET: 2/2
						REV.: A.0

SIZE: A4