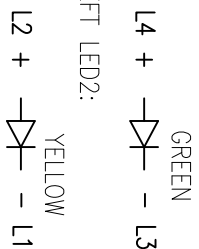
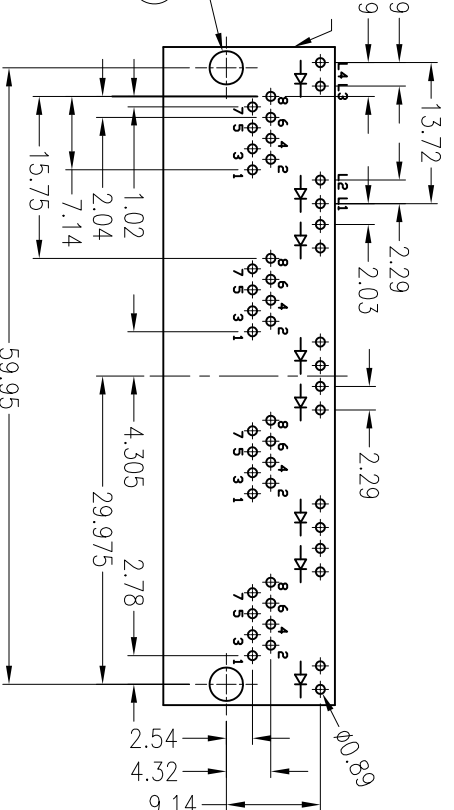


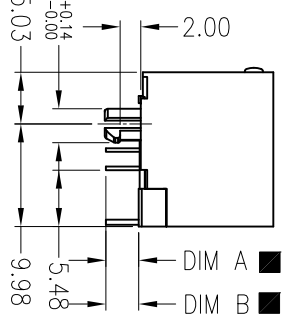
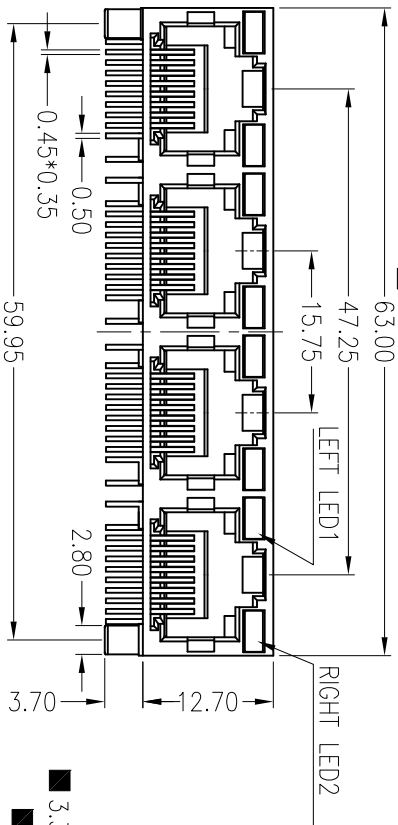
LED SCHEMATIC:
LEFT LED1:
LEFT LED2:
RIGHT LED2:



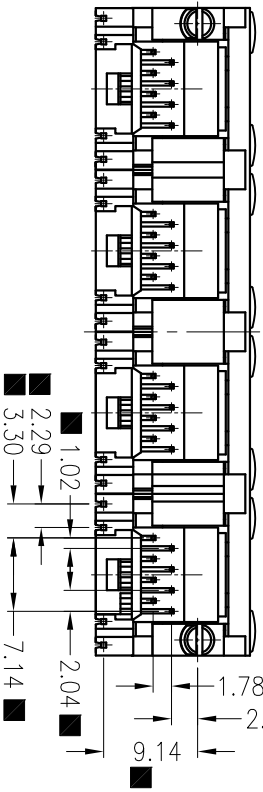
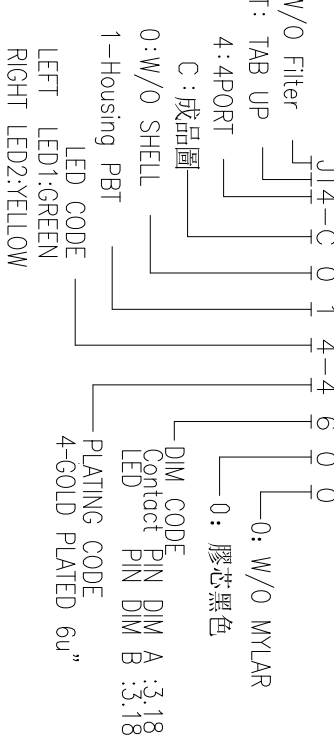
CONNECTOR
OUTLINE



SUGGESTED PCB LAYOUT(TOP VIEW)
(PCB LAYOUT TOLERANCE: .XX±0.05)



PART NUMBER:



- NOTES:
1. MATERIALS:
HOUSING: HIGH TEMP. THERMOPLASTIC, PBT BLACK
UL94V-0, CONTACTS: T=0.30 mm PHOSPHOR
BRONZE, 50u" NICKEL UNDERPLATE ON ALL AREA,
100u" TIN ON 6u" GOLD ON CONTACT AREA.
2. OPERATING TEMPERATURE: -40°C ~ +85°C
3. JACK CAVITY CONFORMS TO FCC RULES AND
REGULATIONS PART 68, SUBPART F

REV.	ECN. NO.	DRAWN	DATE
A	NEW	YongDe	06/05/2014

1	2	3	4	5	6	7	8
---	---	---	---	---	---	---	---



ECONN CORPORATION



⊗:QUALITY CONTROL ITEM	GENERAL TOLERANCE	PART NO.:
APPROVED	.X±0.38 X.±.2	JT4-C014-4600
CHECKED	.XX±0.25 .X±.1	TITLE:RJ45 CONNECTOR JT 1*4 PORT
DRAWN	.XXX±0.13	W/LED, 8P8C, Shielded, Thru-Hole
	UNIT: mm	SCALE: 1:1
		SHEET: 1/1
		REV.: A

說明: △:備註 ◇:版本變更 ⊗:尺寸序號 ■:重點尺寸 ▼:CPK尺寸 DOCUMENT NO.: ZER0013/A.2